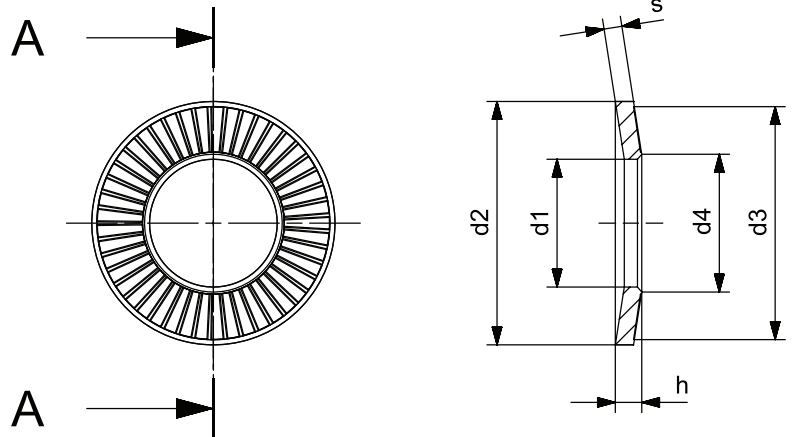
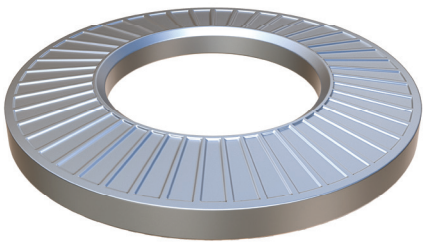


tiefastener[®]

USE THE BEST



SECTION A-A

Technical Specifications

Product Name	NFE 25511	Narrow Type - M3
Product Code	Item Number	401100
VPE	Number Per Package	500 Pcs.
	Materials	Carbon Steel C60S
d1 min. - max.	Inner Diameter (mm)	3,10 - 3,35
d2 min. - max.	Outer Diameter (mm)	5,76 - 6,24
s min. - max.	Material Thickness (mm)	0,47 - 0,53
H min. - max.	Total Thickness (mm)	0,70 - 0,90
d4 min. - max.	Inner Dia. of Knurl (mm)	3,60 - 4,10
d3 min.	Outer Dia. of Knurl (mm)	5,50
	Number of Knurl	28

Standart
NFE 25-511

Alternative Materials

*Carbon Steel C60S DIN EN 10132, hardness 420-510 Hv 10 after heat-treatment for hardening and tempering

*Stainless Steel AISI 304 (InoxA2) EN 10088, No1.4301 cold rolled at high resistance.

*Stainless Steel AISI 316 (InoxA4) EN 10088, No1.4401 cold rolled at high resistance.