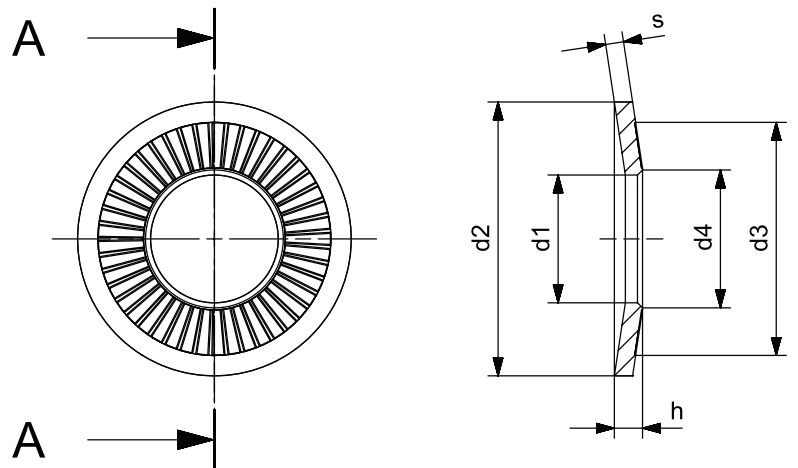
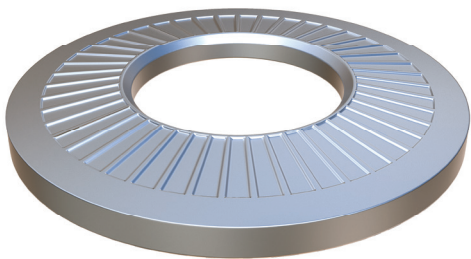


tiefastener[®]

USE THE BEST



SECTION A-A

Technical Specifications

Product Name	NFE 25511	Medium Type - M8
Product Code	Item Number	403104
VPE	Number Per Package	100 Pcs.
	Materials	Carbon Steel C60S
d1 min. - max.	Inner Diameter (mm)	8,20 - 8,56
d2 min. - max.	Outer Diameter (mm)	17,65 - 18,35
s min. - max.	Material Thickness (mm)	1,36 - 1,44
H min. - max.	Total Thickness (mm)	1,90 - 2,35
d4 min. - max.	Inner Dia. of Knurl (mm)	9,20 - 9,80
d3 min.	Outer Dia. of Knurl (mm)	13,00
	Number of Knurl	45

Standart
NFE 25-511

Alternative Materials

*Carbon Steel C60S DIN EN 10132, hardness 420-510 Hv 10 after heat-treatment for hardening and tempering

*Stainless Steel AISI 304 (InoxA2) EN 10088, No1.4301 cold rolled at high resistance.

*Stainless Steel AISI 316 (InoxA4) EN 10088, No1.4401 cold rolled at high resistance.