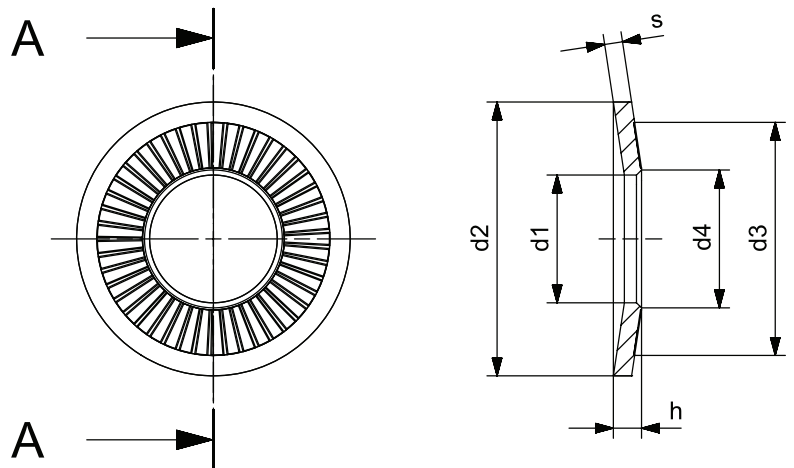
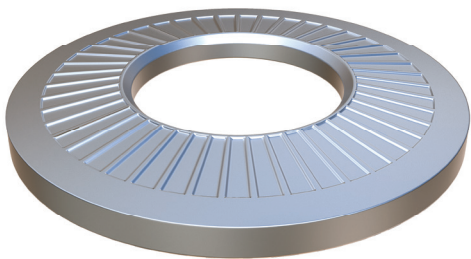


# tiefastener<sup>®</sup>

USE THE BEST



SECTION A-A

## Technical Specifications

Product Name	NFE 25511	Medium Type - M12
Product Code	Item Number	403106
VPE	Number Per Package	50 Pcs.
	Materials	Carbon Steel C60S
d1 min. - max.	Inner Diameter (mm)	12,40 - 12,83
d2 min. - max.	Outer Diameter (mm)	26,58 - 27,42
s min. - max.	Material Thickness (mm)	1,75 - 1,85
H min. - max.	Total Thickness (mm)	2,60 - 3,10
d4 min. - max.	Inner Dia. of Knurl (mm)	13,70 - 14,40
d3 min.	Outer Dia. of Knurl (mm)	18,00
	Number of Knurl	45

Standart  
NFE 25-511

### Alternative Materials

\*Carbon Steel C60S DIN EN 10132, hardness 420-510 Hv 10 after heat-treatment for hardening and tempering

\*Stainless Steel AISI 304 (InoxA2) EN 10088, No1.4301 cold rolled at high resistance.

\*Stainless Steel AISI 316 (InoxA4) EN 10088, No1.4401 cold rolled at high resistance.